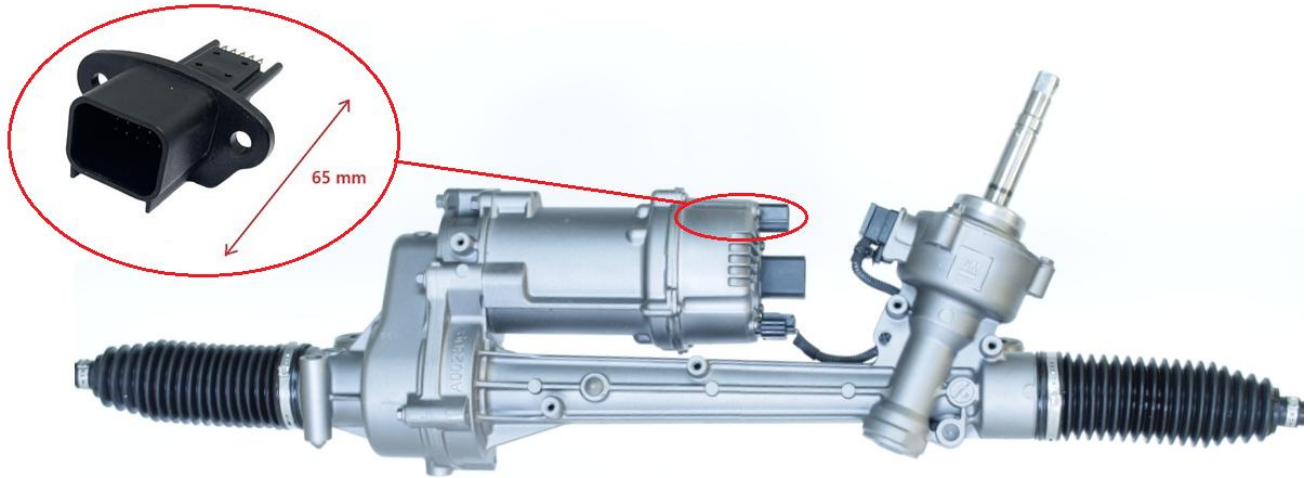




**Electric steering rack connector BUICK CHEVROLET CADILLAC Part No. 40340039**



Application
Buick LaCrosse 2014-2016, BUICK Regal 2014-2017, CADILLAC XTS 2013-2016, Chevrolet Impala 2014-2016, Chevrolet Camaro 2012-2015

**FITS THE FOLLOWING**

Rack part number	Crossreferences	Application
ATGE41221RB	CARDONE 2470016  GENERAL MOTORS 23153512, 23459790, 23297469	Buick  LaCrosse III (2014-)  Chevrolet  Impala X (2014-2020)  Daewoo  Alpheon (2010-2015)
ATGE41691RB	GENERAL MOTORS 22848599, 23118540, 22960699, 23494502, 22987673, 22958025, 23207196, 22987672	Chevrolet  Camaro V Restyling (2013-2015)
ATGE42411RB	GENERAL MOTORS	Buick  LaCrosse III (2014-)



	22895378, 23153513, 22955136, 23297470, 22968145, 23459791, 22978628  GM  22968145, 23459791, 22978628, 22895378, 23153513, 22955136, 23297470	Regal VI (2016-)  Cadillac  XTS (2012-)
--	--	---

More new products at <https://www.atg-components.com/warehouse-news>